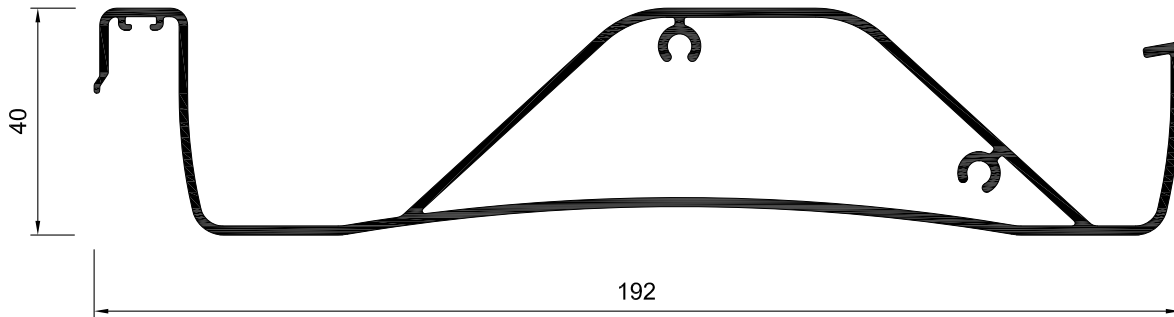

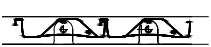




**DELTA opening roof** : technical information (i).

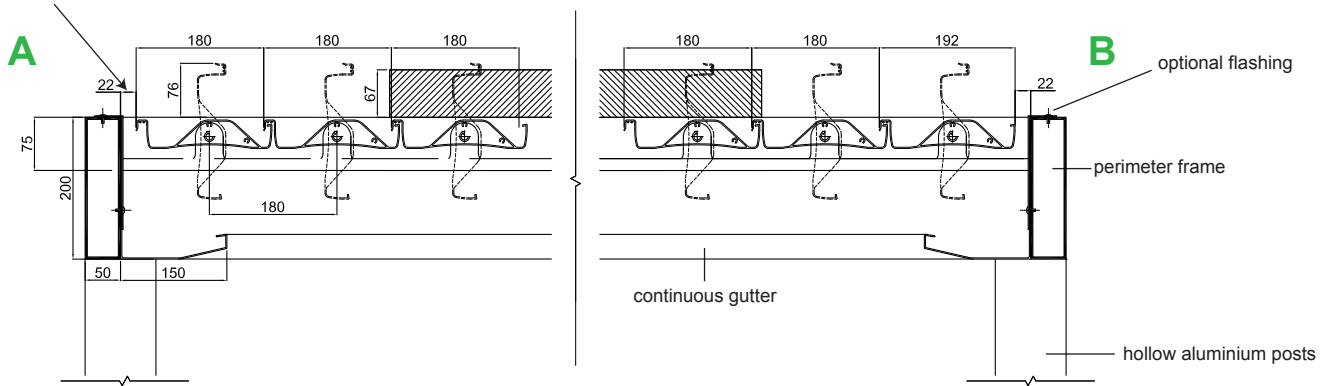


WIND ZONE	LOW	MEDIUM	HIGH	VERY HIGH
	4.4m	4.2m	4.0m	3.6m
<b>DELTA ROOF BLADE</b>	<b>MAX. DELTA LOUVRE BLADE SPANS</b>			

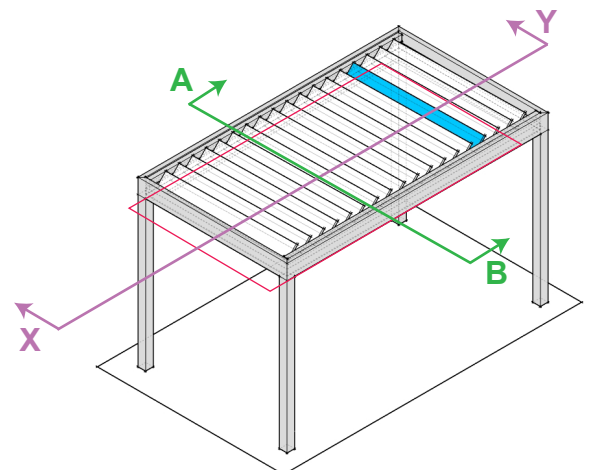
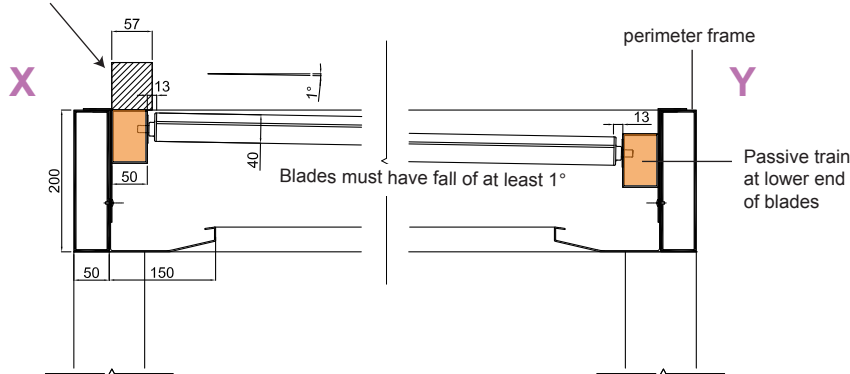
Blade weight per lineal metre : 1.950 kg      Blade centres : 180mm  
 Individual blade width : 192mm              Blade cover : 180mm  
 Weight per square metre : 10.8kg / m<sup>2</sup>

 Closed blades (water-tight)  
 Open blades (fine weather)  
 Max. opening angle 160°  
 (with 15mm clearance between blades)

22mm **minimum** clearance between blades and perimeter frame.



Motor above drive train (at higher end of blades)



Motorised Delta roof shown hand operable option also available.