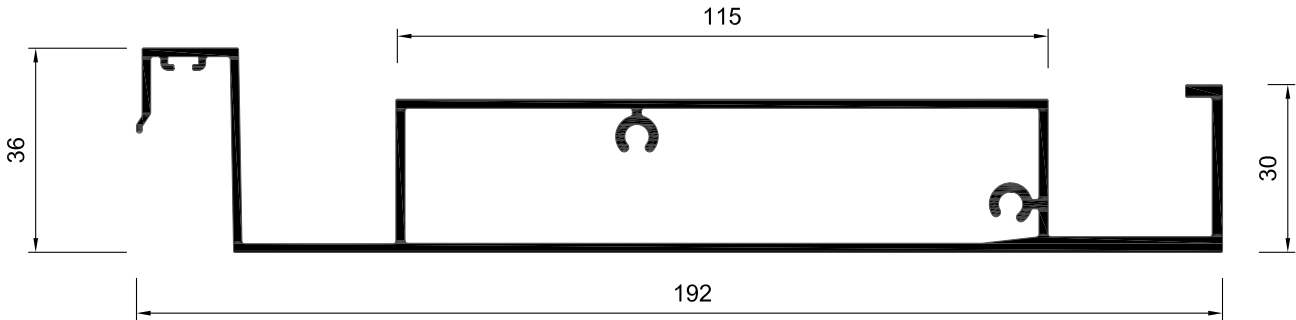
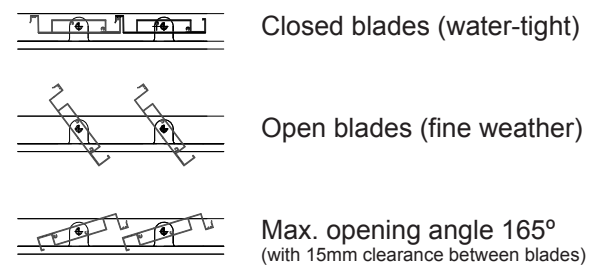


TITAN opening roof : technical information.

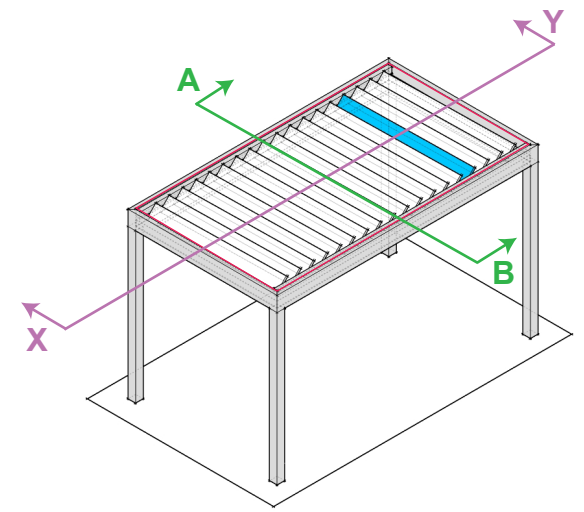
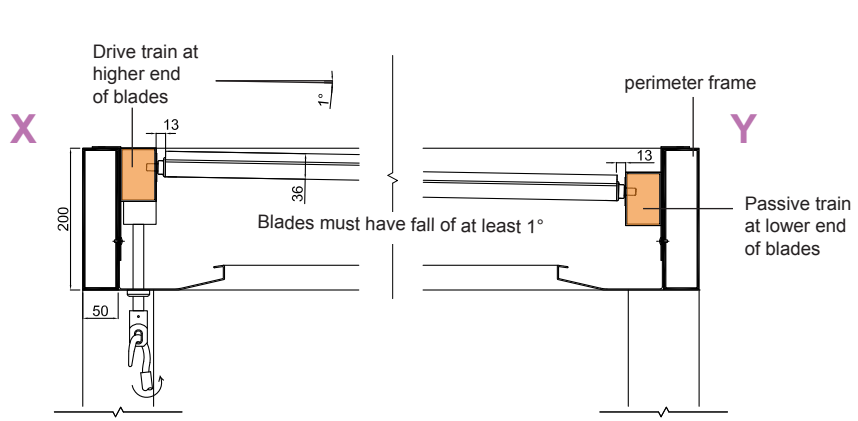
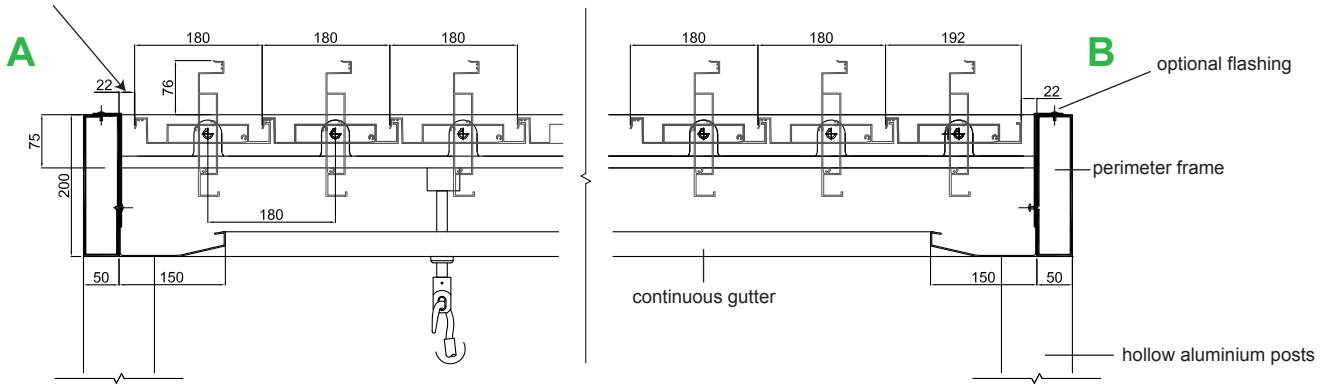


WIND ZONE	LOW	MEDIUM	HIGH	VERY HIGH
	3.9m	3.7m	3.6m	3.4m
TITAN ROOF BLADE	MAX. TITAN LOUVRE BLADE SPANS			



Blade weight per lineal metre : 2.284 kg Blade centres : 180mm
 Individual blade width : 192mm Blade cover : 180mm
 Weight per square metre : 12.7 kg / m²

22mm **minimum** clearance between blades and perimeter frame.



Hand operable Titan roof shown
 Motorised option also available.