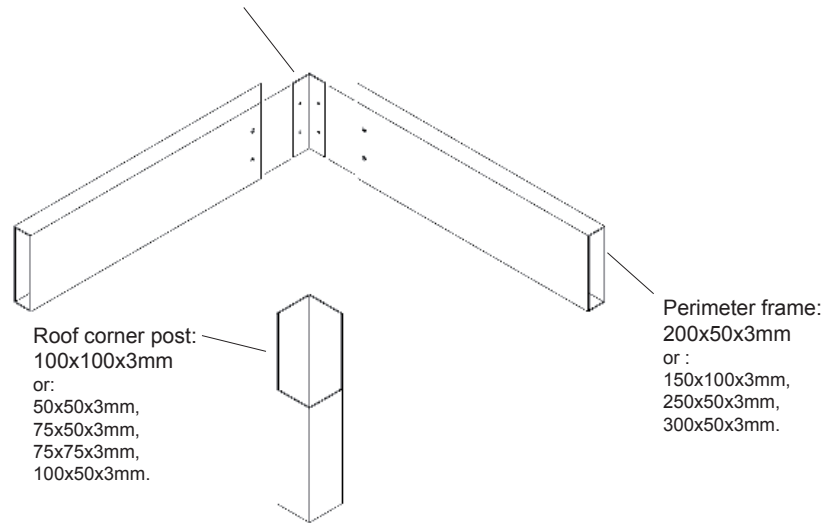


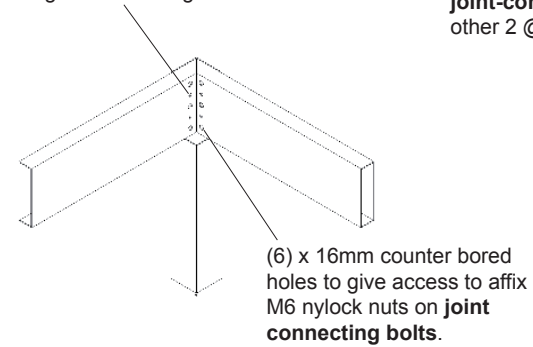
POST TO FRAME - CORNER CONNECTION - EXPLODED VIEW

Corner gusset:
50x50x3mm aluminium angle, gusset height = (height of frame: 200mm) - (6mm combined frame thickness) secured with: 4x10gauge, 25mm countersunk self-tapping screws.



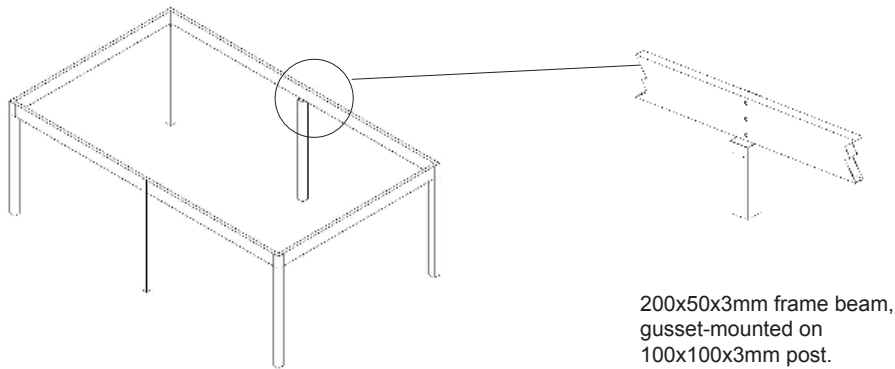
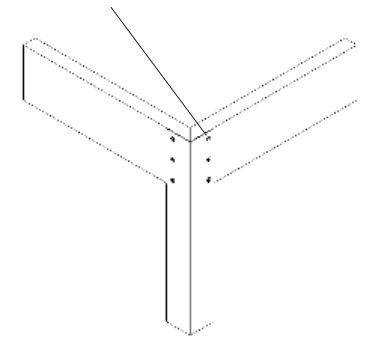
INSIDE FRAME VIEW

4 x gusset securing screws



OUTSIDE FRAME VIEW

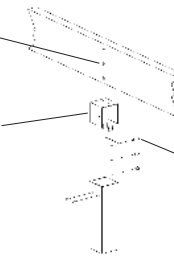
(6) x M6x35mm **joint-connecting bolts**; 1 @ mid-height of beam, other 2 @ 25mm from top/bottom of beam.



MID-BEAM POST CONNECTION

(3) x 16mm counter bored holes to give access to affix M6 nylock nuts on **joint connecting bolts**.

gusset fabricated to inside dimensions of hollow post, fixed: 10gauge x 25mm screws.



(3) x M6x35mm **joint-connecting bolts**; 1 @ mid height of beam, other 2 @ 25mm from top/bottom of beam. Fix thru beam into post.

Do Not Scale From Drawing
Technical specifications subject to change without prior notice
All technical content © kudos aluminium louvres 2010

kudos
aluminium louvres

Manufacture and installation of aluminium louvres and opening roofs.

email : kudoslouvres@xtra.co.nz
web : www.kudoslouvres.co.nz
P.O. box 35810 Browns Bay Auckland
Contact : 0800 729 857

TITLE : Opening Roof - Post to frame connections

JOB : STANDARD TECHNICAL DETAIL

DRAWING DATE : 11 10 12

DRAWING No : 0009

SCALE : NTS

COMMENTS :

REVISION NO :

@ PAPERSIZE : A4